

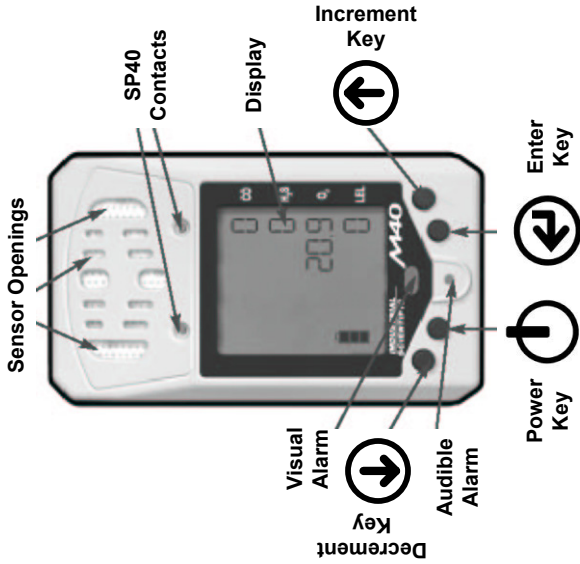
# M40

MULTI-GAS MONITOR

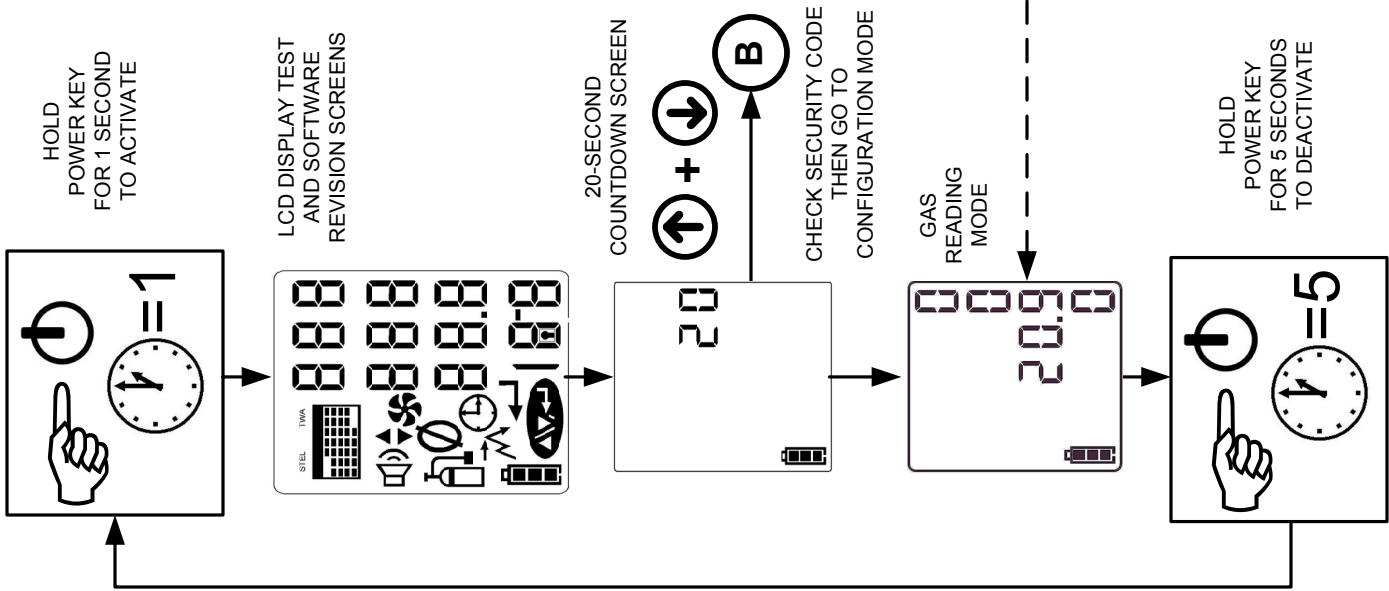


## Quick Start Guide

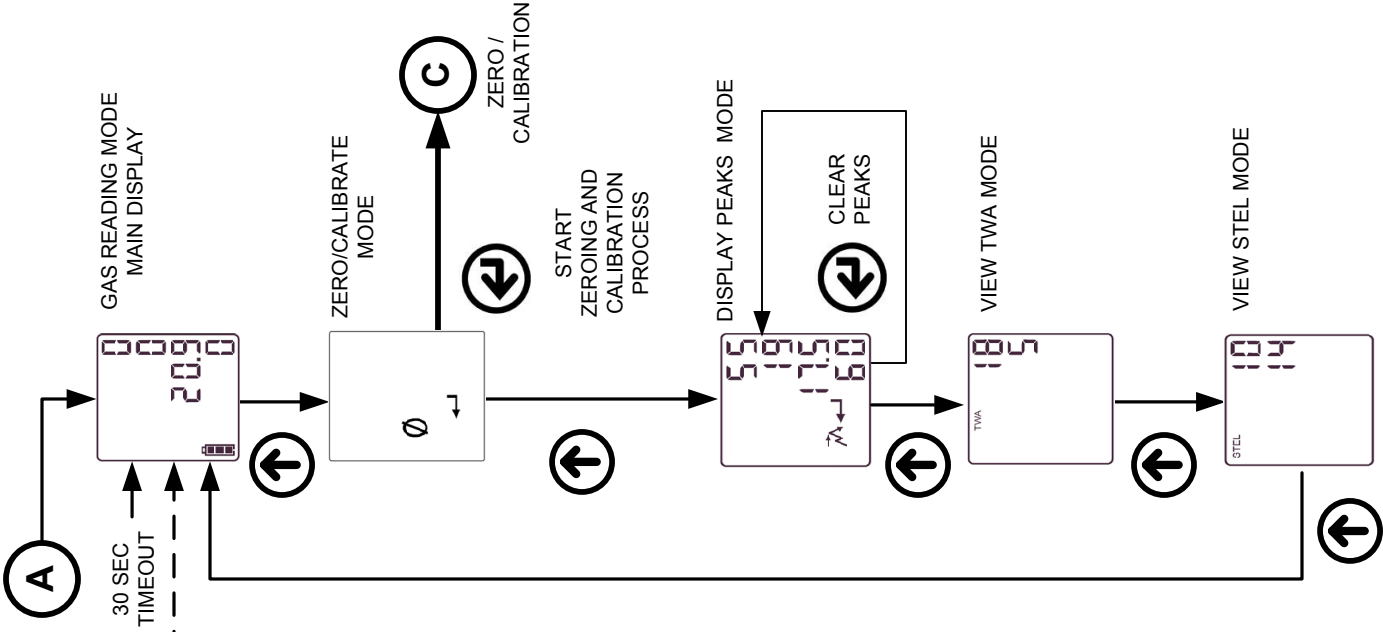
**NOTE:** This reference sheet is a supplement to the M40 Instruction Manual (part number 1710-8879) and is not intended to be used as a replacement for the information in the manual.



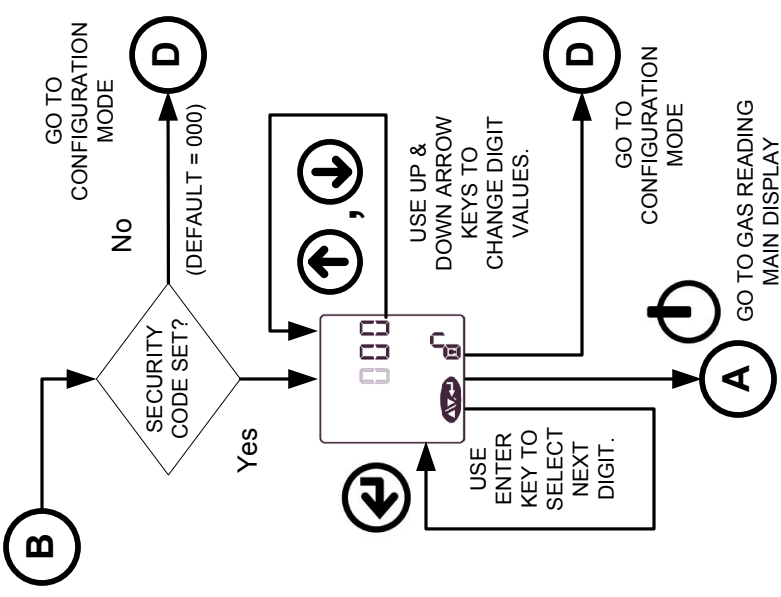
### ACTIVATION / DEACTIVATION



### GAS READING MODE



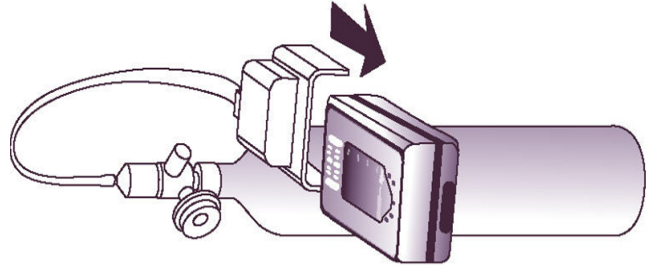
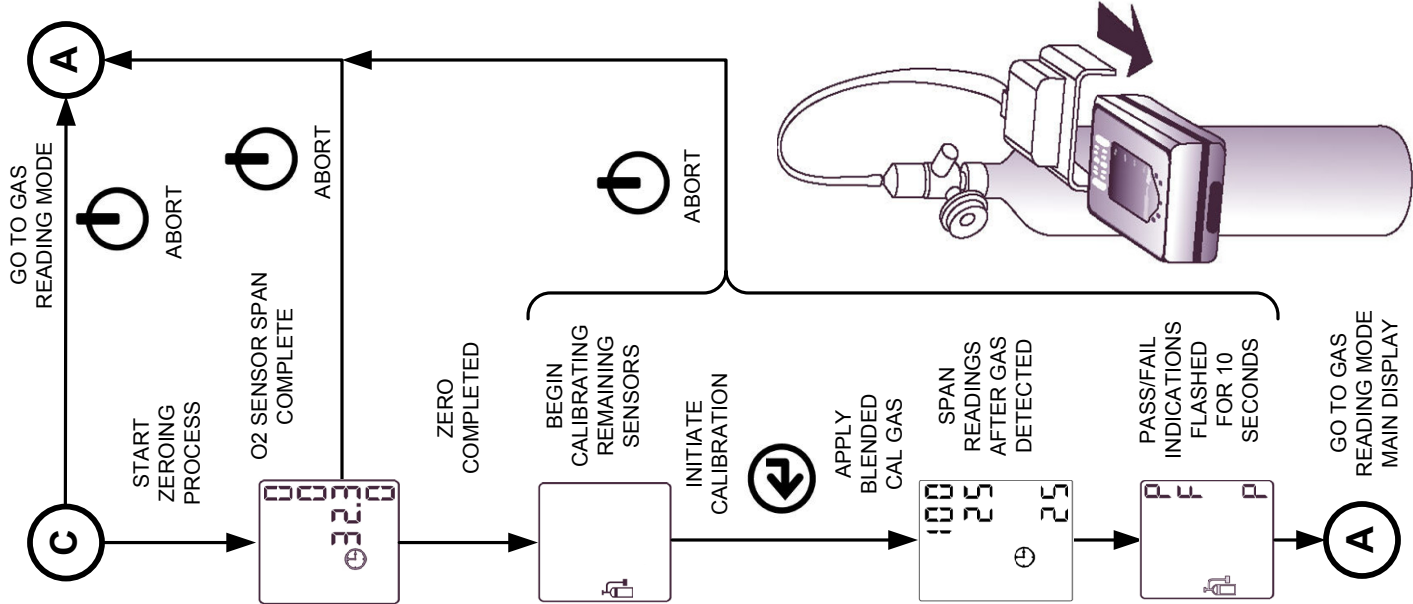
### SECURITY



**IMPORTANT:** Industrial Scientific Corporation recommends that a functional ("bump") test be performed on every instrument prior to each day's use. A functional test is defined as a brief exposure of the monitor to a concentration of gas(es) in excess of the lowest alarm set-point for each sensor for the purpose of verifying sensor and alarm operation and is not intended to be a measure of the accuracy of the instrument. If an instrument fails to operate properly following any functional "bump" test, full instrument calibration should be performed prior to use. If conditions do not permit daily testing, bump tests may be done less frequently based on instrument use, exposure to gas, and environmental conditions. The frequency of testing is best determined by company policy or local regulatory agencies.

Industrial Scientific further recommends that full instrument calibration be performed using a certified concentration(s) of Industrial Scientific calibration gas(es) monthly to ensure accuracy.

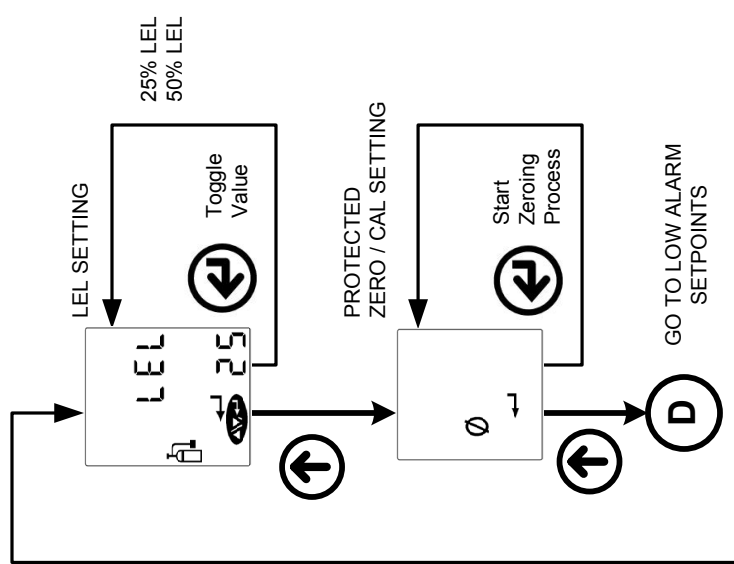
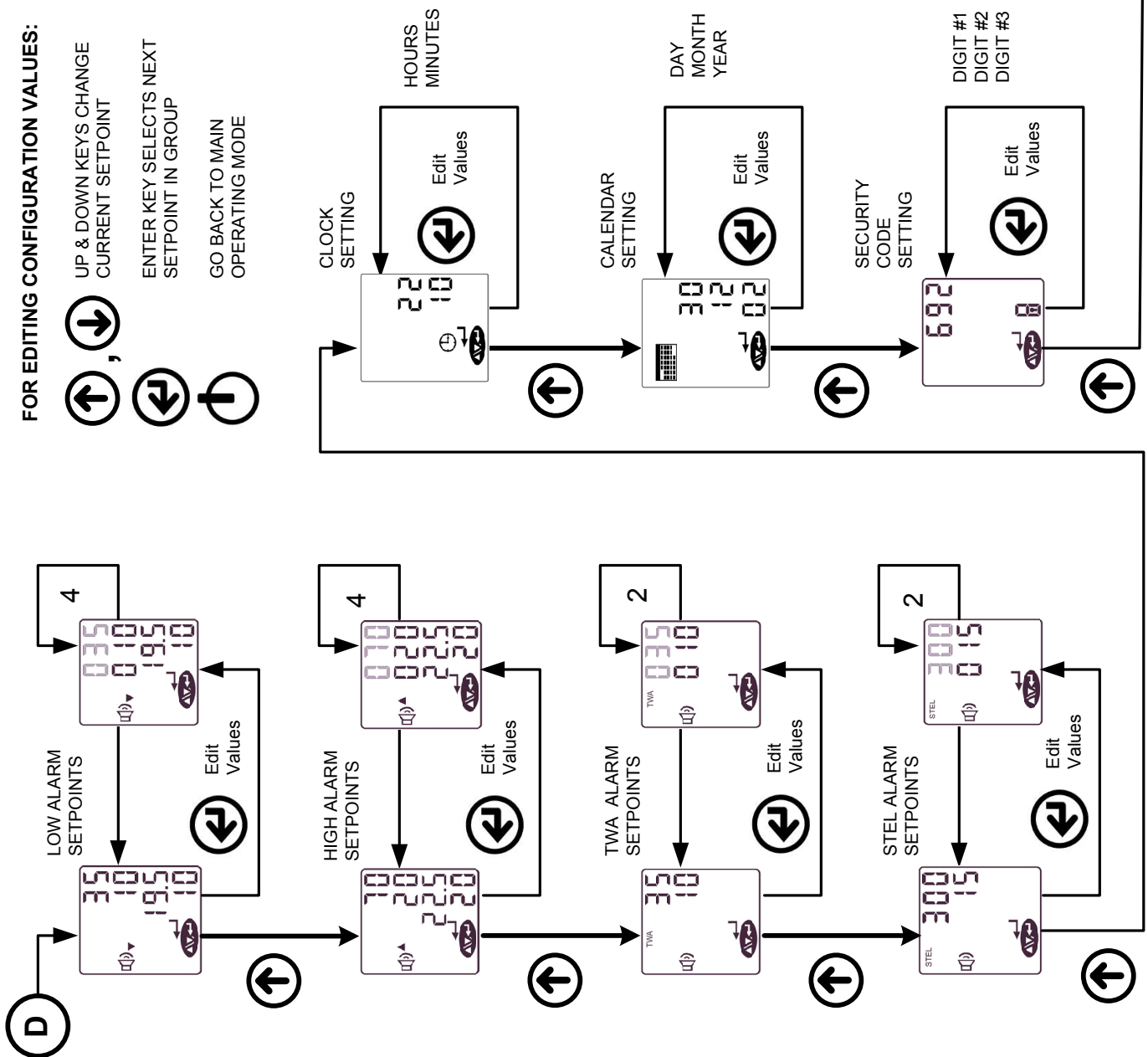
## ZERO / CALIBRATION



## CONFIGURATION

### FOR EDITING CONFIGURATION VALUES:

- UP & DOWN KEYS CHANGE CURRENT SETPOINT
- ENTER KEY SELECTS NEXT SETPOINT IN GROUP
- GO BACK TO MAIN OPERATING MODE



**YOU MUST CYCLE POWER AFTER MAKING CONFIGURATION MODE CHANGES FOR THE CHANGES TO TAKE EFFECT.**

**Industrial Scientific Corporation**  
 Corporate Headquarters  
 1001 Oakdale Road  
 Oakdale, PA 15071-1500

Phone: (412) 788-4353  
 Toll Free: 1-800-DETECTS (1-800-338-3287)  
 Fax: (412) 788-8353  
 E-mail: info@indsci.com